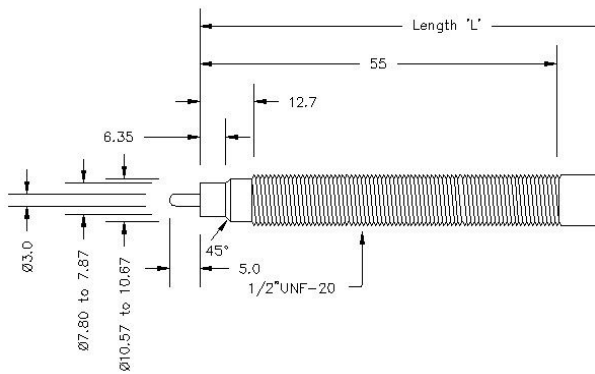


Termocoppia IEC Melt Bolt - Tipo J - Lunghezza bullone 152 mm



Labfacility are the UK's leading manufacturer of Temperature Sensors, Thermocouple Connectors and associated Temperature Instrumentation and stockings of Thermocouple Cables. The Company has been trading since 1971 and is ISO9001 accredited.

Indicazioni**Specifications**

| | |
|------------------------------|----------------------------------------------------------------------------------------------|
| Product Code | XE-3921-001 |
| General Description | Designed to withstand high pressure applications experienced with molten plastics & polymers |
| Sensor Type | Typically used in plastics extruders and injection moulders |
| Thermocouple Type | J |
| Thermocouple Junction | Insulated hot junction |
| Probe Diameter | 3mm |
| Probe Length | 5mm with 152mm bolt length |
| Sheath Material | Stainless steel |
| Termination Type | Standard plug termination (round pin) |
| Max. Temperature | 500°C |
| Tolerance | Tolerance & colour code in accordance with IEC-584 specification |
| Standards Met | IEC |
| Thread | 1/2"UNF-20 thread |