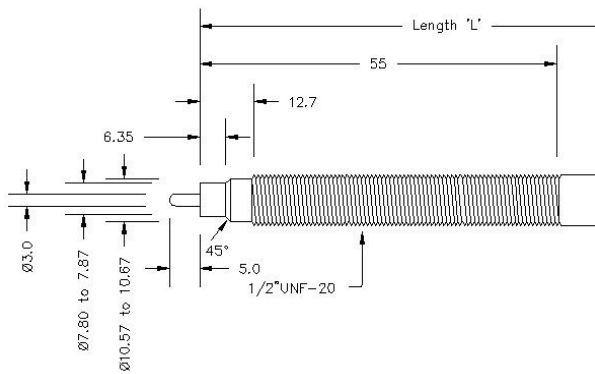


Termocoppia IEC con bullone fuso - Tipo K - Lunghezza bullone 76 mm



Labfacility are the UK's leading manufacturer of Temperature Sensors, Thermocouple Connectors and associated Temperature Instrumentation and stockings of Thermocouple Cables. The Company has been trading since 1971 and is ISO9001 accredited.

Indicazioni**Specifications**

Product Code	XE-3922-001
General Description	Designed to withstand high pressure applications experienced with molten plastics & polymers
Sensor Type	Typically used in plastics extruders and injection moulders
Thermocouple Type	K
Thermocouple Junction	Insulated hot junction
Probe Diameter	3mm
Probe Length	5mm with 76mm bolt length
Sheath Material	Stainless steel
Termination Type	Standard plug termination (round pin)
Max. Temperature	500°C
Tolerance	Tolerance & colour code in accordance with IEC-584 specification
Standards Met	IEC
Thread	1/2"UNF-20 thread