

All stainless steel process gauge

Model ST, ST/FL, ST/GL, ST/SI

According to BS EN 837-1

Nominal sizes, 100, 160 and 250 mm

Accuracy: Class 1

Features

- * Rugged stainless steel construction
- * Bayonet locking case and bezel
- * Protection to IP54 or IP65
- * Usable at full scale
- * 316 Stainless Steel bourdon tube
- * Over-range protection 130%

Ranges

- 1...0bar. up to 0...1000 bar
- 30 inHg...0. psi up to 0...15000 psi

Application

- Petrochemical and chemical
- Food and beverage
- Paper and pulp industry
- Machine and apparatus construction

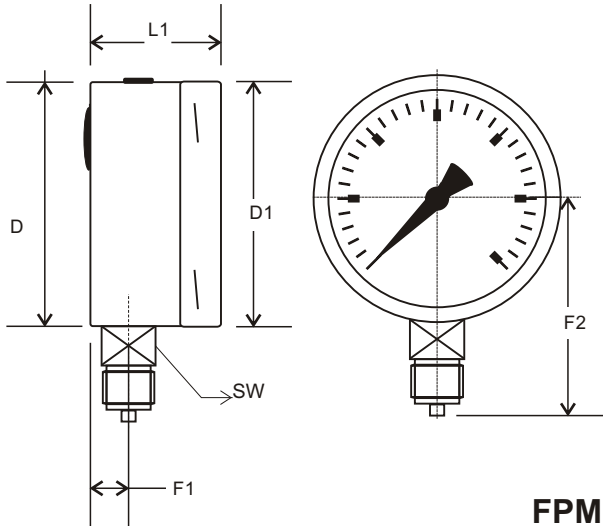


Technical Specification	ST	ST/GL	ST/SI	ST/FL
Dial size	100		160	250
Construction	Flush fitting bayonet locking case and bezel, safety blow out disc in back, DIN-EN 837 (S1).			
Measuring Element	'C' shaped bourdon tube to 60 bar, coiled to 1000 bar.			
Range (bar)	0,6. 1. 1,6. 2,5. 4. 6. 10. 16. 25. 40. 60. 100. 160. 250. 400. 600. 1000. -1/0. -1/0,6. -1/1,5. -1/3. -1/5. -1/9.			
Over-range limit	130% full scale....short periods.			
Process connection	1/4bsp, 3/8bsp, 1/2bsp according to EN837 1/4npt, 1/2npt, according to ANSI/ASME B1.20.1			
Material Construction				
Process connection	316 stainless steel.			
Bourdon Tube	316ti 'C' shaped bourdon tube to 60 bar, 316L coiled to 1000 bar.			
Case / Bezel ring	Stainless steel AISI 304L.			
Window	Instrument glass,- optional .- laminated safety glass, acrylic, polycarbonate.			
Dial	Aluminium, black figures on white...optional...steel...other colours.			
Pointer	Aluminium, black,- optional .- micro adjustment, steel.			
Movement	304 stainless steel. ...-(Brass) on 250mm gauge.			
Accuracy	Class 1 (1% F.S..D.), - Optional - class 0.6 (0.6%)			
Permissible				
Degree C				
Ambient Temperature	-25....+60			
Process Temperature	min...-30...max...+100			
Storage Temperature	-40....+60			
Temperature Effect	max...0,3% / 10 Deg C			
Protection EN 60 529	IP54 (dry) IP65 (fillable and filled)			
Filling Liquid	Glycerine (GL) Silicone (SI)			
Mountings	Direct bottom, direct back, surface, flush panel, panel 3 hole fixing.			
Weight dry / filled {kg}	0.8 / 1.0		1.2 / 2.0 2.3 / 4.2	
Accessories				
Diaphragm seals, electrical contacts, index pointers, damped movement.				

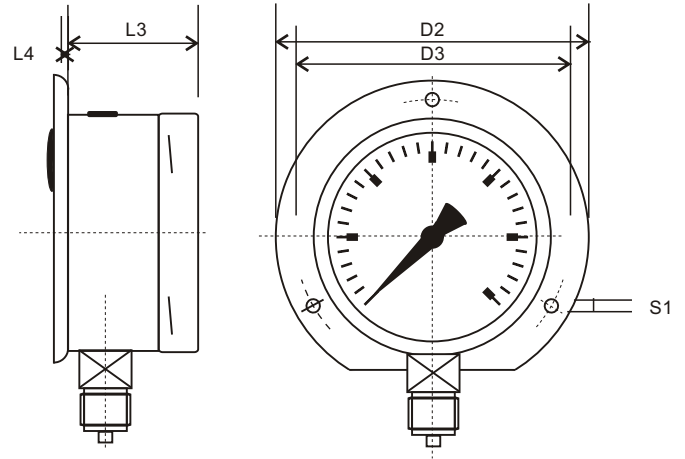
Data Sheet no.
NGT 601ST

GAUGES WITH BOTTOM CONNECTION

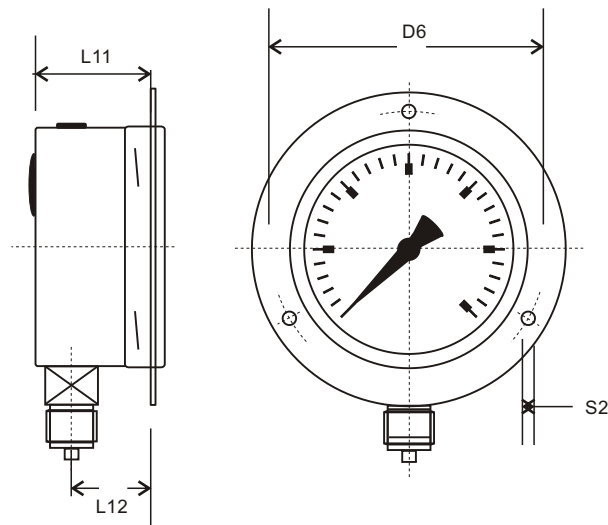
DM / V



SM / V



FPM / 3H / V



GENERAL DIMENSIONS (MM)

	D	D1	D2	D3	D4	D5	D6	L1	L2	L3	L4	L5	L6
63													
100	99	101	132	118	107	132	118	52	52	58	5.5	82	49
160	159	161	192	178	167	192	178	52	52	58	5.5	82	49
250	250	253	289	276	N/A	289	276	55	55	58	3.0	84	51

	L7	L8	L9	L10	L11	L12	F1	F2	F3	F4	S1	S2	SW
63													
100	16	4	47	6	47	30	15	90	40	32	5.5	5.5	22
160	16	4	47	6	47	30	15	119	40	32	6	6	22
250	16	7	49	6	49	31	16	164	40	50	6.5	6.5	22

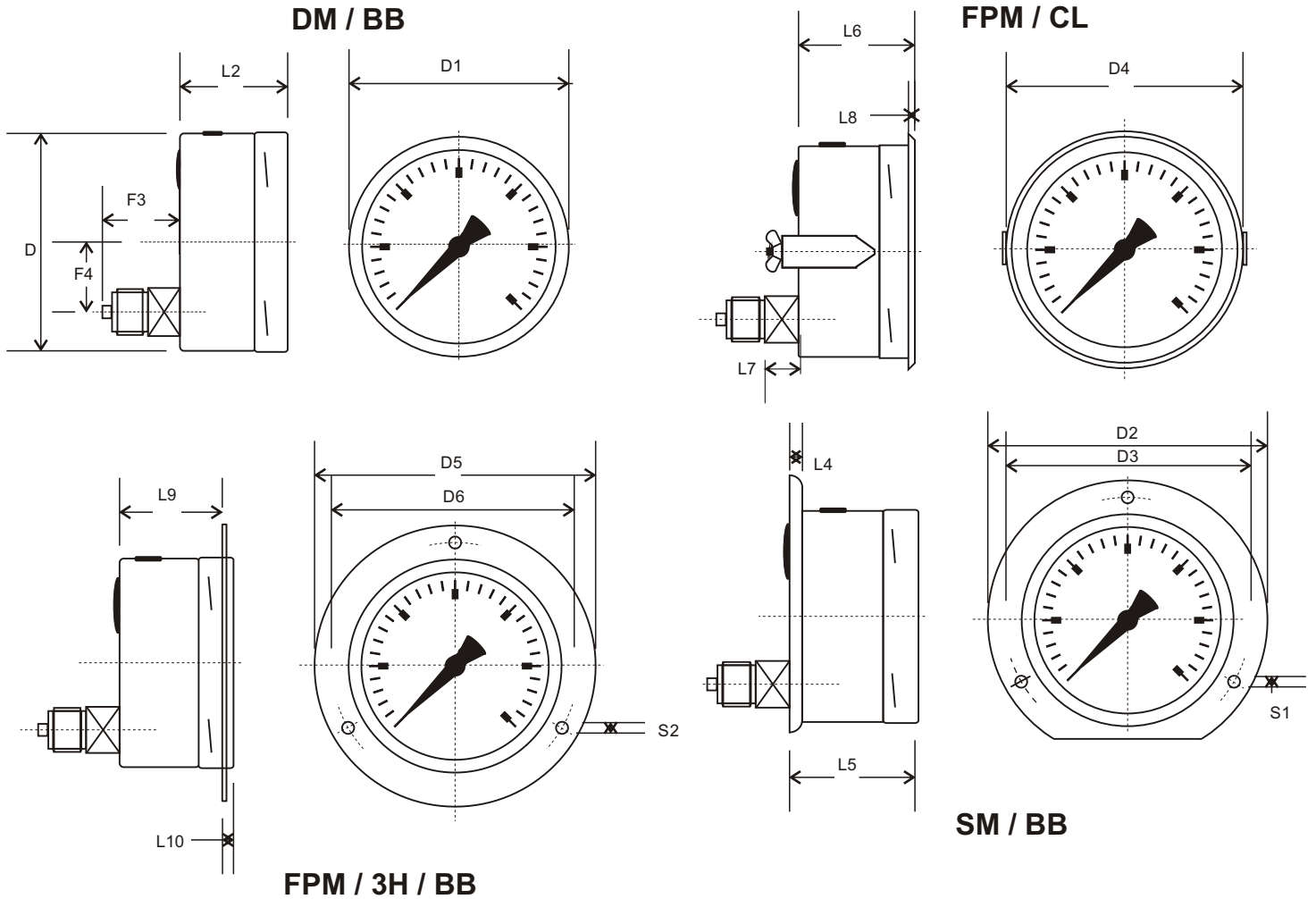
FOR PANEL CUT - OUT SIZE, ADD 1mm TO D1.

All specifications are subject to change without notice

Model

- ST.....DRY
- ST/FL DRY - FILLABLE
- ST/GLGLYCERINE FILLED
- ST/SI..... SILICONE FILLED

GAUGES WITH BACK CONNECTION



GENERAL DIMENSIONS (MM)

	D	D1	D2	D3	D4	D5	D6	L1	L2	L3	L4	L5	L6
63													
100	99	101	132	118	107	132	118	52	52	58	5.5	82	49
160	159	161	192	178	167	192	178	52	52	58	5.5	82	49
250	250	253	289	276	N/A	289	276	55	55	58	3.0	84	51

	L7	L8	L9	L10	L11	L12	F1	F2	F3	F4	S1	S2	SW
63													
100	16	4	47	6	47	30	15	90	40	32	5.5	5.5	22
160	16	4	47	6	47	30	15	119	40	32	6	6	22
250	16	7	49	6	49	31	16	164	40	50	6.5	6.5	22

FOR PANEL CUT - OUT SIZE, ADD 1mm TO D1.

All specifications are subject to change without notice

Options

- Special dial marking
- Special range
- Special connections
- Throttle screw
- Micro-adjust pointer
- Maximum demand pointer
- Red setting pointer
- Acrylic window
- Laminated window
- Calibration 0.6%
- Silicone damped movement
- Electrical contact
- Diaphragm seals
- Hygienic seals